

//DATASHEET

SALTO XS4|

Electronic locker locks:

SALTO XS4 electronic locker locks are designed to provide a high level of security protection and control access to a wide range of lockers, cupboards, display cabinets, boxes, cases and more..

XS4 LOCKER LOCK Lx050

SALTO
inspired**access**



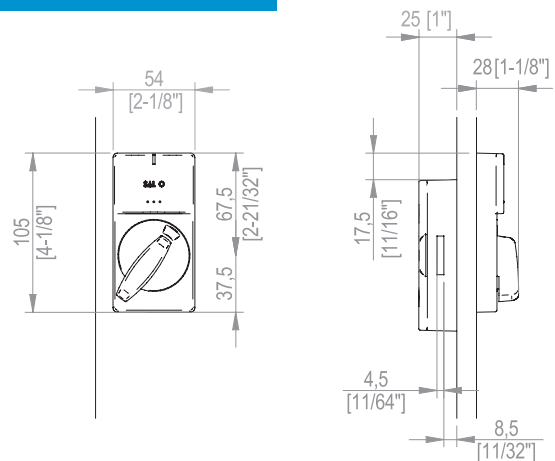
XS4
Locker
by SALTO

SALTO XS4 LOCKER LOCK FOR CABINETS AND LOCKERS

The XS4 Locker Lock is an electronic locker lock solution designed to provide a high level of security protection for a wide variety of cabinets and lockers. It can be fully integrated with the SALTO access control solution or be operated as a stand-alone system.

SALTO XS4 LOCKER

Lx050



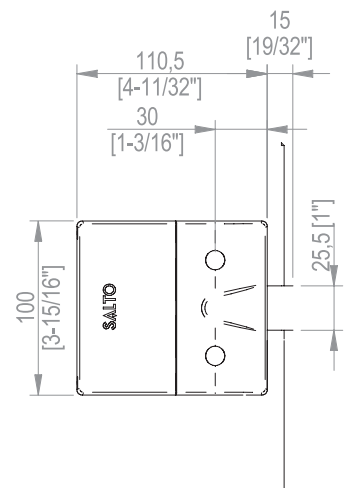
MAIN FEATURES:

- Fully integrated with the SALTO XS4 platform.
- ID technologies available: contactless RFID identification, DESfire, DESfire EV1, Mifare, Mifare plus and Mifare Ultralight C, HID iClass®, Legic Advant and Skidata compatible.
- Outer thumbturn with red green indicator for availability of the locker, electronically managed release.
- Lock with large security deadbolt is built into the locker.
- Ideal for retrofit applications as outside escutcheon rotates for different door handing and styles. No handing.
- Battery pack: sabotage protected on the inside together with decision making electronics. Can only be opened by using special tool.
- Simple offline installation is possible on many types of small and thin doors.
- Door thickness: adaptable on site from 10mm up to 50mm.
- Cover colour: RAL 7016 Anthracite or white.
- Battery pack colour: RAL 7016 Anthracite.

SECURITY CLASS:

- According EN 60529 for electronic handle sets including reader and lock case.

INTERIOR:



AVAILABLE LOCK MODES:

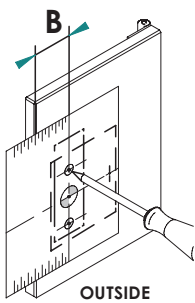
- **FIXED LOCKER ASSIGNMENT** where a specific ID carrier operates a specific lock.
- **FREE LOCKER ASSIGNMENT** where any ID carrier subsequently used to unlock a locker takes control.
- **FAMILY OPTION** – Allows for multiple ID carriers to operate a single locker.

ELECTRONIC MAIN FEATURES AND BENEFITS:

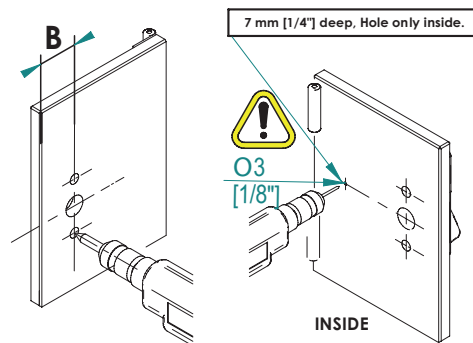
- Simple offline installation is possible on many types of cabinets
- Virtual network capable through SALTO Virtual Network technology.
- Audit trail capability via the SALTO Virtual Network (SVN). Contactless versions compatible with ISO 14.443A, ISO 15693, ISO 14.443B and covering a wide range of mainstream RFID brands such as DESfire, DESfire EV1, Mifare, Mifare plus, Ultralight C, allowing multiapplication with third party systems using one card.
- SALTO XS4 Locker locks is compatible with NFC (Near Field Communication) technology which allows NFC enabled cell phones to act as contactless data carriers to open and control SALTO access controlled doors.
- All communications between the carrier and the locker lock are encrypted and secured.
- Low battery power indication monitored through the SALTO Virtual Network (SVN) as low battery status information is written onto carriers and passed to the software. Also readings can be taken at the lock and passed to the software via PPD connection.
- Emergency opening by means of portable programming device (PPD).
- Firmware upgradable through PPD.

INSTALLATION:

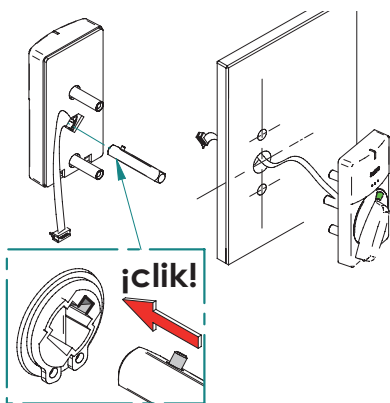
1- Mark the door with the SALTO template.



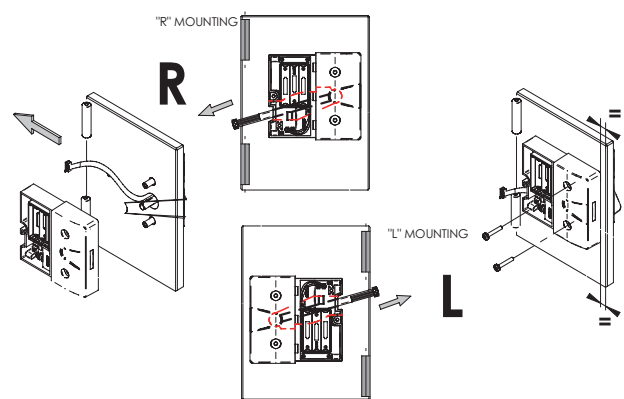
2- Drill the locker door as shown in the template.



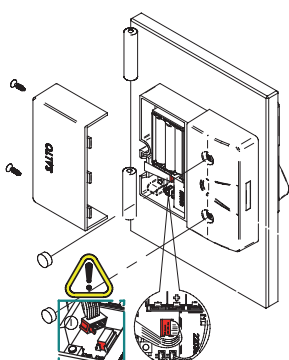
3- Pass the cables through the drillings



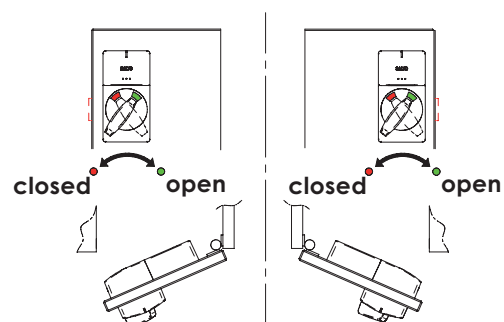
4-



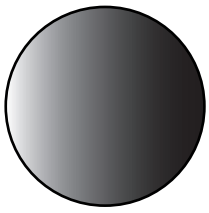
5-



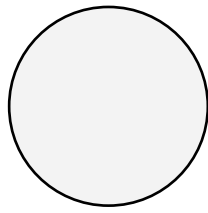
REMARK - No Handing



FINISHES:



Antracite
RAL 7016



White
(inside Antracite)

MECHANICAL FEATURES:

- Plastic cover characteristics: Highly resistant to chemicals, UV radiation and physical impacts.
- Mechanical located on the inside and made of steel.
- Surface mounted lock.
- Sandwich construction with the reader on the outside and lock case on the inside.
- Inside cover measures: 100mm x 110,5 mm x 25mm.
- Outside Escutcheon measurements: 54mm x 105mm x 28mm.
- Deadbolt projection: 15 mm.
- Outer thumbturn with red green indicator for availability of the locker, electronically managed release.

ACCESS CONTROL FEATURES:

	R&W SVN
Maximum number of users per door	4,000,000
Maximum number of doors per system	65,000
Maximum events on lock audit	1000
Timezones	1024
Timeperiods	256
Calendars in system	256
User groups	unlimited
Zones in System	unlimited
Management software	Pro Access SPACE)

ID TECHNOLOGIES:

- **MIFARE:** Classic, Mifare plus, Ultralight C, DESFire, DESFire EV1 and Vicinity cards.
- **LEGIC:** Legic ADVANT
- **HID iCLASS.**

RANGE OF RFID CREDENTIAL / KEYS AVAILABLE:



Contactless RFID Key
Cards



Contactless RFID
Fobs



Contactless RFID
Silicone Bracelet



Contactless RFID
Fobs Bracelet

MIFARE:

Mifare RFID contactless technology reads & writes information to contactless smart cards (RFID) compatible with ISO 14.443A, ISO 14.443B and ISO 15.693 standards, and as Mifare, Mifare plus, DESFire, DESFireEV1 technologies. They also allow for updating of the carriers via SALTO Virtual Net (SVN) technology.

- Fully integrated with the SALTO XS4 platform.
- 13.56MHz contactless RFID identification.
- ISO 14.443A, ISO 14.443B and ISO 15.693, Mifare, DESFire Compatible.
- Near Field Communication (NFC) compatible.
- Key card available: 1Kbyte, 4Kbytes and 8 Kbytes depending on technology.
- Key shape available: ISO 7810 Cards, fobs, bracelets, stickers, watches...
- Reusable key cards.
- SALTO Virtual Network (SVN) compatible*.
- RFID technology permits contactless exchange of information between the card and the reader*.
- High security encrypted Proximity cards.
- Multiapplication with other systems using the same card with different sectors.
- Customized issuing card through the SALTO Authorization Media software (SAM).
- Waterproof cards which can be customized.

LEGIC Advant:

LEGIC Ident systems includes highly integrated LEGIC RF Standard and ISO 15693 and ISO 14443 compliant read/write Chip Sets, Security Modules and Transponder Chips for integration into third party products. A very good option if you already use a Legic transponder system.

- 13.56MHz contact less RFID identification.
- Key card available: 2 kbytes.
- Key shape available: ISO 15693, ISO 14443 and LEGIC RF Cards.
- Reusable key cards.
- SALTO Virtual Network (SVN) compatible.
- Read & Write technology permits contactless exchange of information between the card and the reader.
- High security, by using password and encrypted 3DES, DES and Legic encryption.
- Multiapplication with other systems using the same card with different segments..
- Customized issuing card memory through the Legic protocol.
- Waterproof cards which can be customized.

TECHNICAL DATA:

CURRENT REQUIRED:

- 3 alkaline batteries LR03 AAA 1,5V.
- Number of openings:
 - Contactless versions: Up to 40.000 on 1 battery, depending on the RFID technology.

ENVIRONMENTAL CONDITIONS:

- 0° / 70°.

CERTIFICATIONS:

- Declaration of Comity CE
 - Use of radio frequency spectrum**
 - ETSI EN 302 291-1 V1.1.1 (2005-07)
 - ETSI EN 302 291-2 V1.1.1 (2005-07)
 - Electromagnetic Compatibility**
 - ETSI EN 301 489-1 (2011-09)
 - ETSI EN 301 489-3 (2002-08)
 - Security requirements**
 - EN 60529
 - Following the provisions of the directive

IP CERTIFICATIONS: Outdoor Protection Standard

- IP56

SOLID PARTICLE RESISTANT	LIQUID INGRESS RESISTANT
Quantity of dust ingress is not sufficient to interfere normal operation.	Water projected in powerful jets (12.5mm nozzle) against the enclosure from any direction at least 3 minutes, 100 litres per minute, 100 kN/m ² at distance of 3m, shall have no harmful effects.

SALTO ACCESS CONTROL PLATFORM FEATURES:

SALTO XS4 electronic locker locks are designed to provide a high level of security protection and control access to a wide range of lockers, cupboards, display cabinets, boxes, cases and more.

Most OEM lockers are supplied with very basic mechanical locks that offer little in the way of protection. SALTO electronic locker locks solve this problem by offering the latest in state-of-the-art electronic access control technology in a simple, retro-fit format.

The SALTO XS4 Locker solution features an ergonomically designed twist operated locking handle that makes for easy use, even with wet hands.

- Completely integrated in the SALTO Systems platform.
- Enables users to have stand-alone electronic cylinders, stand-alone electronic locks, stand-alone electronic glass door locks (SALTO wireless compatible), emergency exit devices (SALTO wireless compatible), locker locks and IP based online readers, all in the same system with SALTO Virtual Network capabilities, making it possible to update user card access plans quickly and easily.

SALTO Systems reserves the right to modify technical specifications, designs and performance without notice. © SALTO SYSTEMS 2018